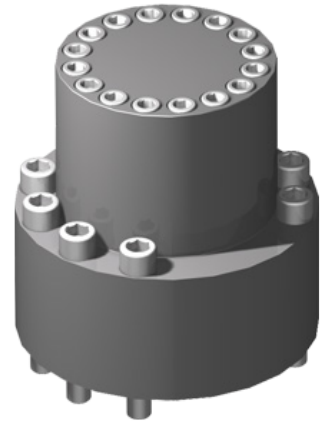
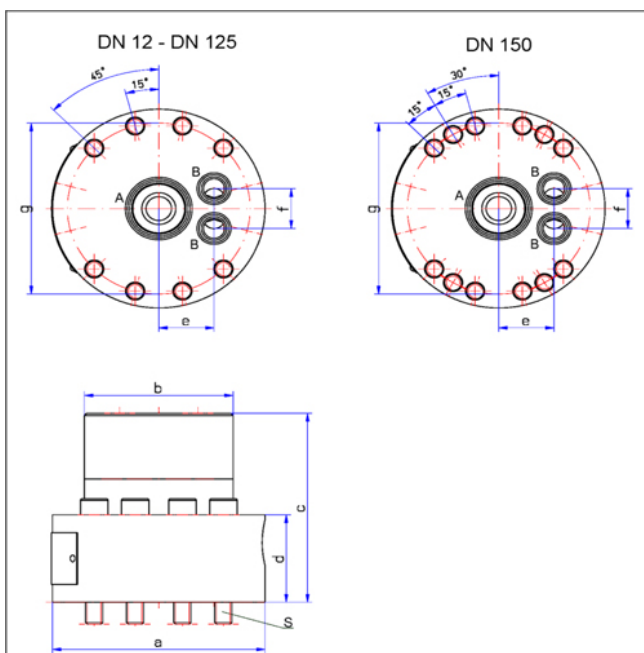


check valve DN 12 to 100



Characteristics	
Nominal bore	DN12 - DN100
Connections	A / B
max. operating pressure	320 bar
max. allowed flow rate	refer table
Medium (1)	Water, HFA, HFB, HFC, Mineral oil
Type	Face mounting
Flow direction	A → B
Mounting position	any
Filtration	100µm
Ambient temperature	max. 45°C
Medium temperature	max. 50°C
Part number	refer table
Sub-plate	refer table

(1) other pressure media on request



	Flow rate
DN12	90 l/min
DN16	120 l/min
DN20	180 l/min
DN25	300 l/min
DN32	450 l/min
DN40	790 l/min
DN50	1400 l/min
DN65	2000 l/min
DN80	3400 l/min
DN100	5000 l/min
DN125	7000 l/min
DN150	11000 l/min

* at Δp = approx. 5 bar

	A	B	a	b	c	d	e±0.1	f±0.1	g	s
DN 12	Ø12	Ø7	Ø85	Ø59			22	20	73	M6x45
DN 16	Ø16	Ø10	Ø100	Ø70	95	44	26	20	86	M8x55
DN 20	Ø20	Ø13	Ø120	Ø84			30	25	104	M10x70
DN 25	Ø25	Ø15	Ø130	Ø90	121	57	34	28	110	M10x70
DN 32	Ø32	Ø18	Ø140	Ø100	141	74	40	35	120	M12x90
DN 40	Ø40	Ø25	Ø176	Ø119	165	80	53	40	145	M16x100
DN 50	Ø50	Ø28	Ø196	Ø142	209	92	61	42	168	M16x110
DN 65	Ø65	Ø36	Ø240	Ø170			71.5	56	205	M20x140
DN 80	Ø80	Ø45	Ø294	Ø214			87	76	255	M24x220
DN 100	Ø100	Ø57	Ø370	Ø265			116	90	320	M30x270
DN 125	Ø125	Ø71	Ø466	Ø336			145	114	400	M36x270
DN 150	Ø150	Ø92	Ø500	Ø380			150	140	440	M30x290