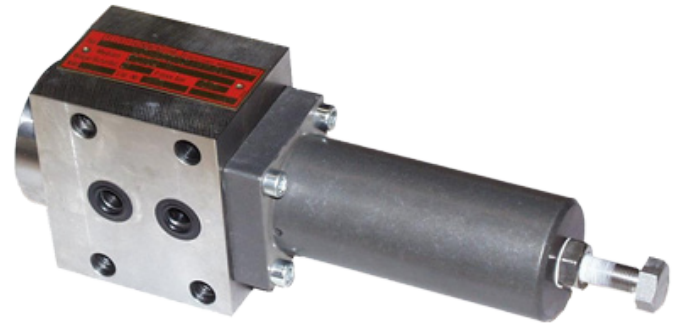
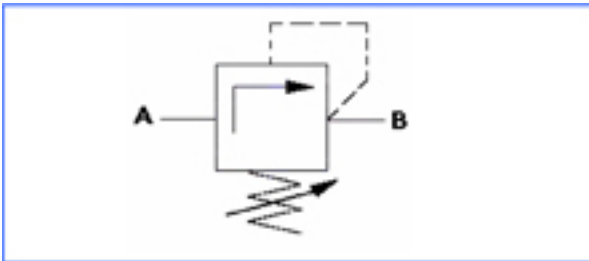


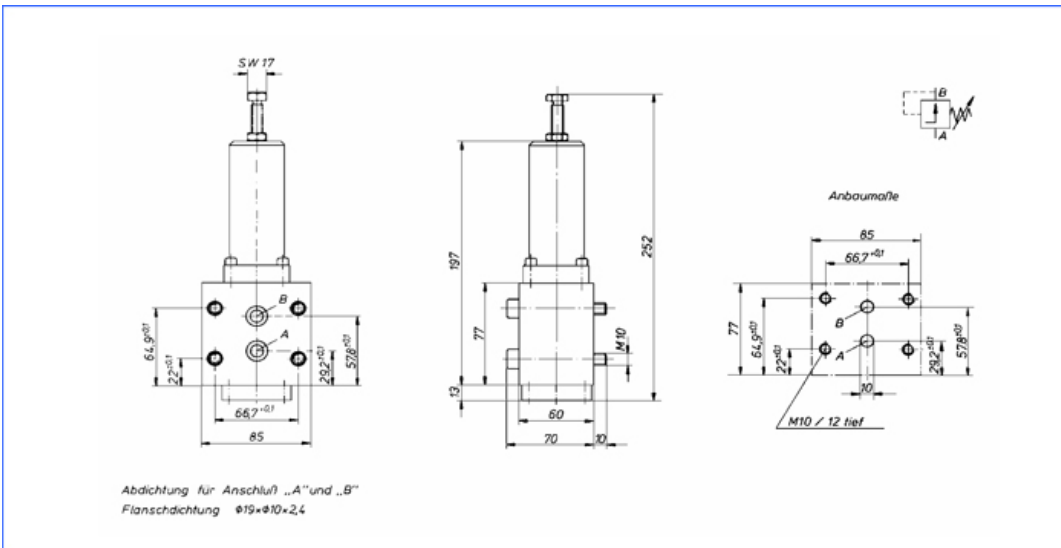
## Pressure reducing valve for Water and Oil, max. 320 bar



### TECHNICAL DATA



\* Ideogram



\* Example: pressure reducing valve DN 10