

## DOUBLE THROTTLE CHECK VALVE NW 10 TO 65 FOR WATER AND OIL MAX. 320 BAR FOR FLANGE CONNECTION



### TECHNICAL DATA

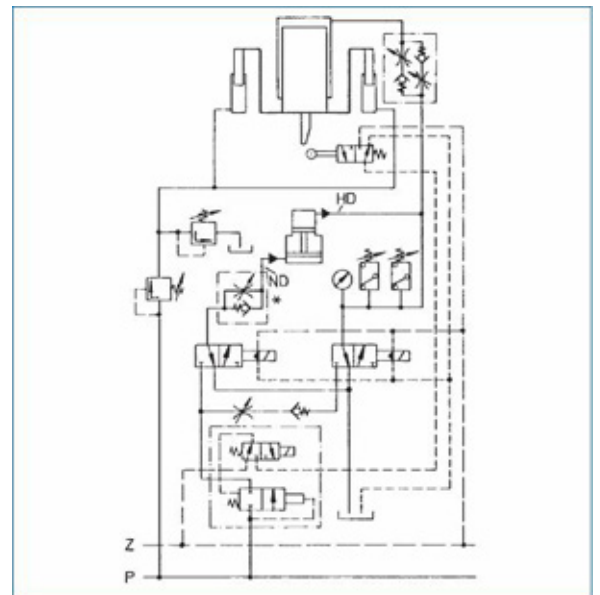
The throttle check valves in the series DRVK 10-65 are a combination of a throttle with throttle pinion and a check valve in a cone seat design. They were specially developed for water hydraulics. The throttle check valves have a free passage from A to B in accordance with the symbols attached to the valve housing whilst the fluid current can be continuously controlled in the return direction.

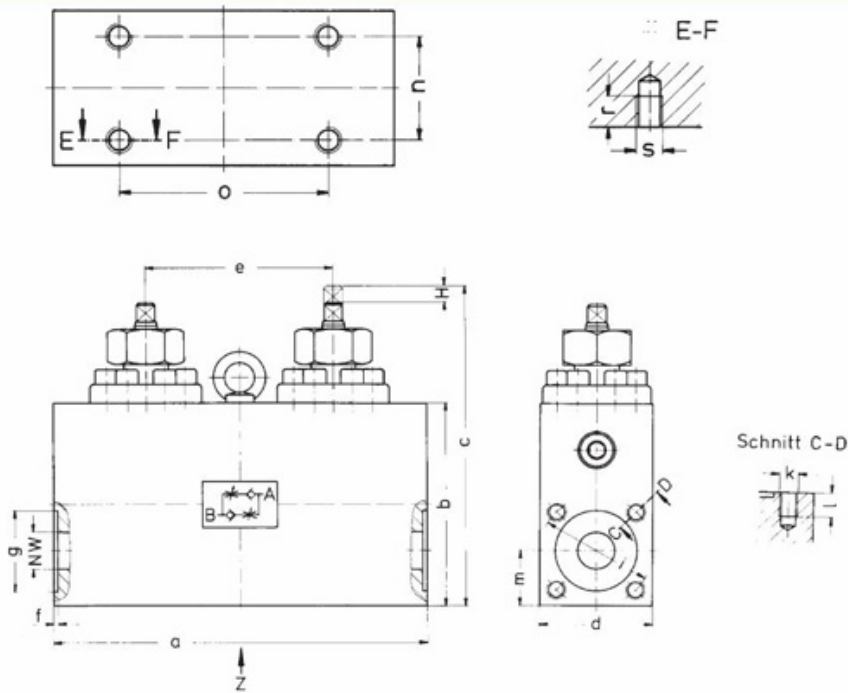
The flow rate depends on the differential pressure and viscosity. The construction type of the throttle provides for a possible blocking in the flow direction from A to B. The throttle as well as the check valve are sealed by pressing two metal cones against one another. The opening stroke of the check valve is provided with an end position damping and dimensioned such that when the return flow starts a fast closure of the check valve is assured. The opening pressure of the check valve is 1 bar. The max. working pressure must not exceed 320 bar.

#### Special features

The adjustable throttle can be adjusted under pressure and is secured against auto-turning by means of a locknut. Throttle and throttle seat are easy to replace. The valve cone of the check valve as well as the closing spring are fitted in an extremely flow-promoting fitted cartridge. A double guide for the valve cone provides for a perfect seal on the valve seat. The closing spring is chambered such that medium cannot flow through the same. Thus, in the event of any spring fracture occurring it is impossible for debris to enter into the circuit. Throttle check valves of this construction type are almost insensitive with regard to the high flow speeds occurring in hydraulic press water systems. All wear parts are made of corrosion resistant materials, easy to access and fast to replace. The mounting position can be freely chosen.

Picture (right side): Mounting example Throttle check valve





	NW	A	B	H	a	b	c	d	e	f	g	i	k	l	m	n	o	r	s
10/DRVK2/315	10	FA10	FA10	10	140	75	134	50	60	2	∅ 28	44	M10	18	25	32	60	10	M 8
		ATI	ATI																
15/DRVK2/315	15	FA15	FA15	12	190	95	153	60	90	2	∅ 38	54	M10	18	30	40	130	14	M 8
		ATI	ATI																
25/DRVK2/315	25	FA25	FA25	13	230	125	208	80	120	2	∅ 55	72	M12	20	40	50	160	14	M10
		ATI	ATI																
32/DRVK2/315	32	FA32	FA32	20	260	145	243	90	140	2	∅ 60	80	M16	22	45	60	170	18	M12
		ATI	ATI																
40/DRVK2/315	40	FA40	FA40	22	280	165	273	100	140	2	∅ 76	98	M16	22	50	70	200	18	M12
		ATI	ATI																
50/DRVK2/315	50	FA50	FA50	30	390	210	340	120	210	2	∅ 92	118	M20	23	60	80	290	20	M16
		ATI	ATI																
65/DRVK2/315	65	FA65	FA65	38	470	250	403	150	270	2	∅110	145	M24	25	75	110	340	25	M20
		ATI	ATI																

