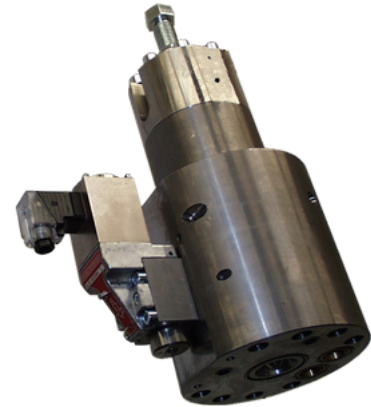


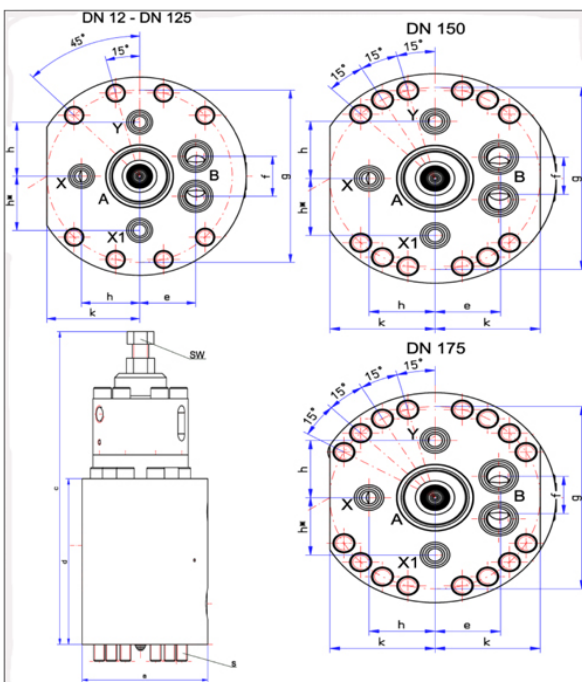
## 2/2 way seat valve pilot-controlled DN 12 to 175



### TECHNICAL DATA

Characteristics		
Nominal bore	DN12 - DN175	
Connections	A / B / X	Y
max. operating pressure	320 bar	unpressurised
max. allowed flow rate	refer table	
Medium (1)	Water, HFA, HFB, HFC, Mineral oil	
Type	Face mounting	
Flow direction	B → A, X → Y (Connections may not be reversed)	
Mounting position	any	
Filtration	100µm (25µm Pilot)	
Ambient temperature	max. 45°C	
Medium temperature	max. 50°C	
Part number	refer table	
Sub-plate	refer table	

(1) other pressure media on request



	Flow rate
DN12	90 l/min
DN16	120 l/min
DN20	180 l/min
DN25	300 l/min
DN32	450 l/min
DN40	790 l/min
DN50	1400 l/min
DN65	2000 l/min
Dn80	3400 l/min
DN100	5000 l/min
DN125	7000 l/min
DN150	11000 l/min
DN175	16000 l/min

\* at  $\Delta p = \text{approx. } 5 \text{ bar}$

Nominal bore	Pilotcontrol
DN 12 - DN 32	DN 3
DN 40 - DN 50	DN 6
DN 65 - DN 80	DN 10
DN 100 - DN 175	DN 16

	A	B	X/Y	a	c	d	e±0.1	f±0.1	g	h±0.1	k	SW	s
DN 12	Ø12	Ø7	Ø3	Ø85			22	20	73	23	34	17	M6x120
DN 16	Ø16	Ø10	Ø6	Ø100	223	118	26	20	86	27	43	17	M8x130
DN 20	Ø20	Ø13	Ø6	Ø120			30	25	104	32	55	19	M10x150
DN 25	Ø25	Ø15	Ø6	Ø130	294	146	34	28	110	35	60	24	M10x160
DN 32	Ø32	Ø18	Ø6	Ø140	375	164	40	35	120	41	65	30	M12x180
DN 40	Ø40	Ø25	Ø9	Ø176	429	178	53	40	145	56	81.5	30	M16x200
DN 50	Ø50	Ø28	Ø16	Ø196	498	238	61	42	168	72	91.5	36	M16x255
DN 65	Ø65	Ø36	Ø16	Ø240			71.5	56	205	81	115	55	M20x265
DN 80	Ø80	Ø45	Ø20	Ø294	682	295	87	76	255	110	139	65	M24x320
DN 100	Ø100	Ø57	Ø25	Ø370			116	90	320	146	173	75	M30x375
DN 125	Ø125	Ø71	Ø32	Ø466	925	398	145	114	400	190	225	85	M36x430
DN 150	Ø150	Ø92	Ø32	Ø500			150	140	440	200	240	115	M30x520
DN 175	Ø175	Ø100	Ø55	Ø670			180	150	590	270	325	145	M42x550