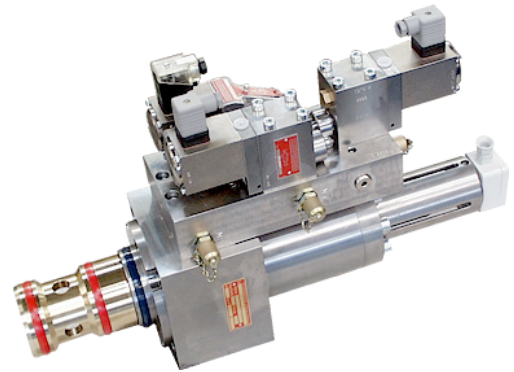


2/2 dir. contr. proportional valve for water and oil hydraulics

DN 25 to 100, operating pressures up to 320 bar

- Pilot-controlled proportional valves
- Pilot-control by means of own medium
- Leakage-free sealing on valve seat
- Force-controlled working piston
- Smooth switching, no shock impacts
- Wear parts are easy to access and fast to replace

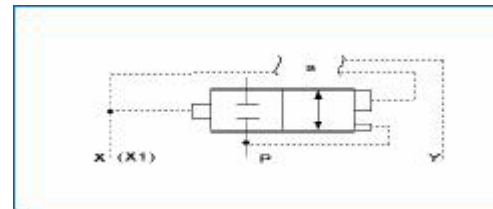


TECHNICAL DATA

- Actuation magnet is protected against dirt and humidity
- The proportional valve can be driven by a position control card BLS1 only

The 2/2 directional control proportional valves are particularly suitable for HFA liquids and clear water up to operating pressures of 320 bar maximum.

Via proportional pilot-control valves, the volume flow through the opening cross-section and the pressure difference on the valve are determined.



Type
 Fitted seat valve

Pilot-control press.
 =system pressure, min. 25bar

Contr.medium
 Own medium

Press. fluid
 HFA acc. to CETOP or VDMA standard sheet 24320 with 95% water and 5% Additives, non-lubricated water (clear water), min. oil acc. to DIN 51524 and 51525

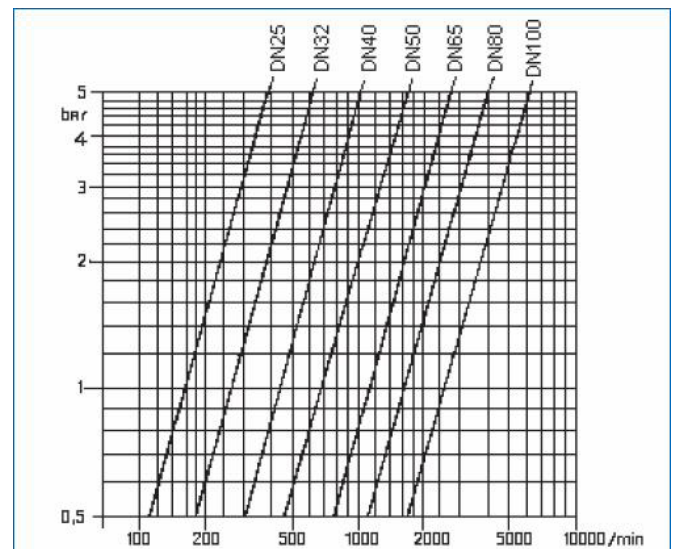
Contr. medium return
 separate and depressurized into the tank

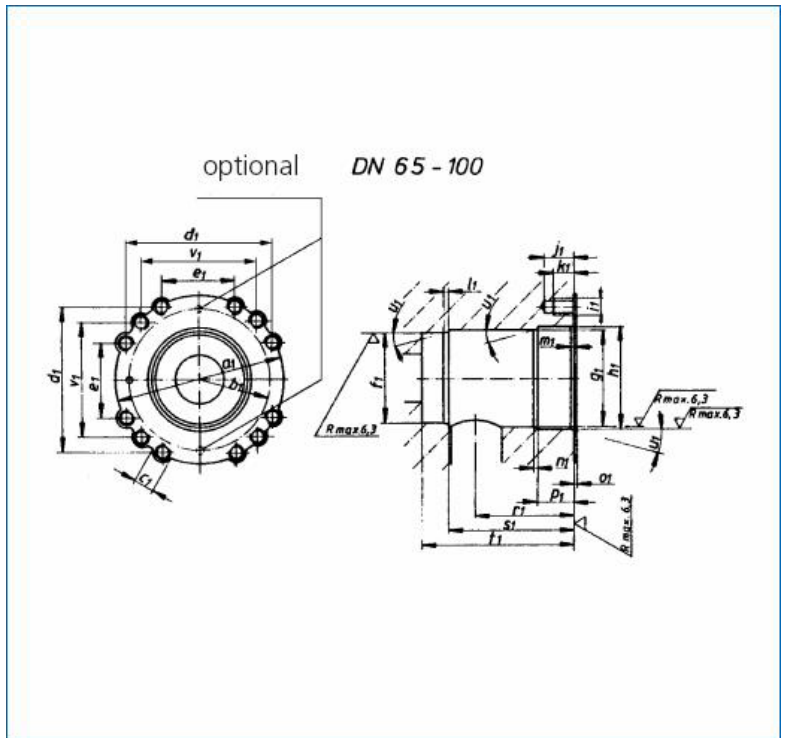
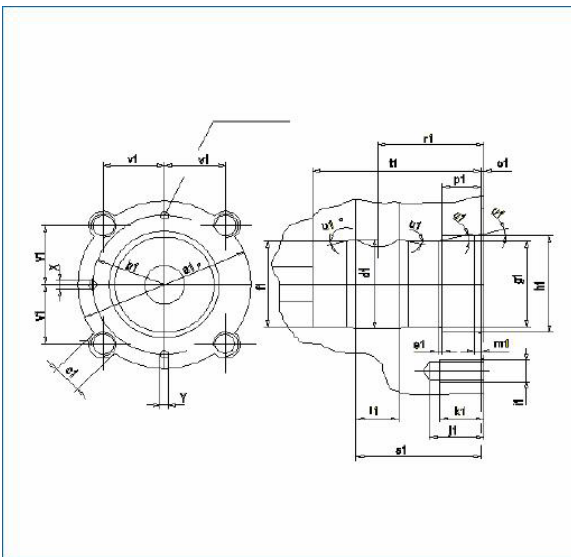
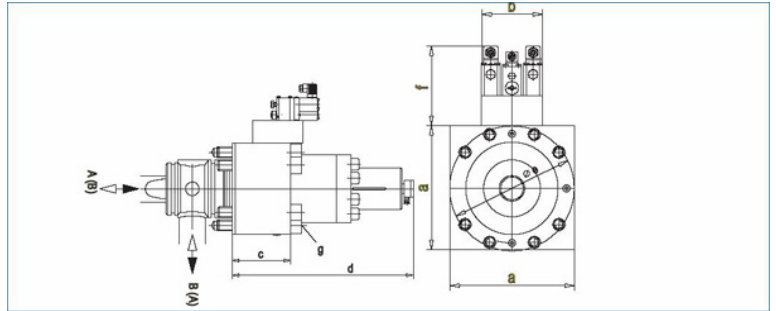
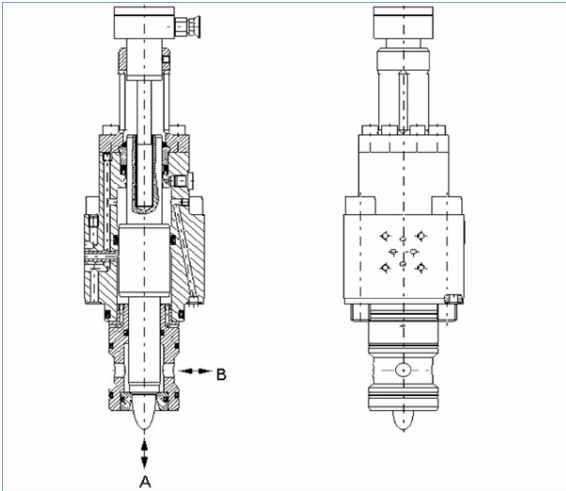
Max. operating pressure
 320bar

Flow see
 Table 1

Fluid
 Temperature 5°C to 45°C

Table 1





DN	A	B	X	Y	a	b	c	g+15	e	f	Schrauben St Gew	Material DN	a1	b1	c1	d1	e1	f1	g1	h1	i1	j1	k1	l1	m1	n1	o1	p1	r1	s1	t1	u1	v1	
16	e16	e16	e3,3	e3,3	70	40	85	164	70	102	4 M10 x 100	912	8,8	a70	R29	e12	e42	2	H7 e40	H7 e40	H7 e45	M10	22	18	16	2,5	-	1	15	41	48	66 +0,20 +0,15	15°	24,75
20	e20	e20	e3,3	e3,3	85	40	85	191	85	102	8 M12 x 100	912	8,8	a85	R35	e14	e52	3	H7 e50	H7 e50	H7 e56	M12	21	17	20	2,5	-	1	20	53	62	82 +0,20 +0,15	15°	33,9
25	e25	e25	e6	e6	95	50	95	208	93	115	4 M12 x 130	912	12,9	a95	R39	e14	e59	2,5	H7 e56	H7 e56	H7 e60	M12	22	18	25	3	-	1	25	61	72,5	95 +0,20 +0,15	15°	35,36
32	e32	e32	e8	e8	120	50	100	247	118	115	4 M20 x 120	912	10,9	a120	R50	e22	e72	5	H7 e70	H7 e70	H7 e80	M20	28	24	32	4	-	1	30	76	91	120 +0,20 +0,15	15°	43,13
40	e40	e40	e8	e8	150	50	112	283	148	115	4 M24 x 140	912	10,9	a150	R62	e26	e88	5	H7 e85	H7 e85	H7 e95	M24	31	32	40	4	-	1	35	91	110	140 +0,20 +0,15	15°	54,8
50	e50	e50	e9	e9	175	50	131	341	173	115	4 M30 x 160	912	8,8	a175	R72	e32	e105	5	H7 e100	H7 e100	H7 e110	M30	41	34	50	5	-	1	40	101	125	160 +0,20 +0,15	15°	62,2